

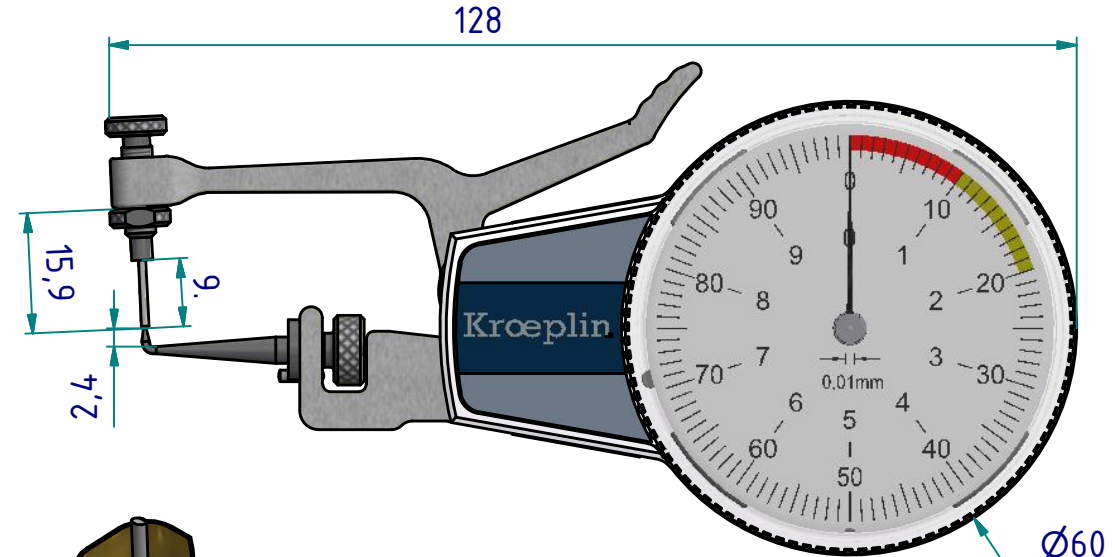
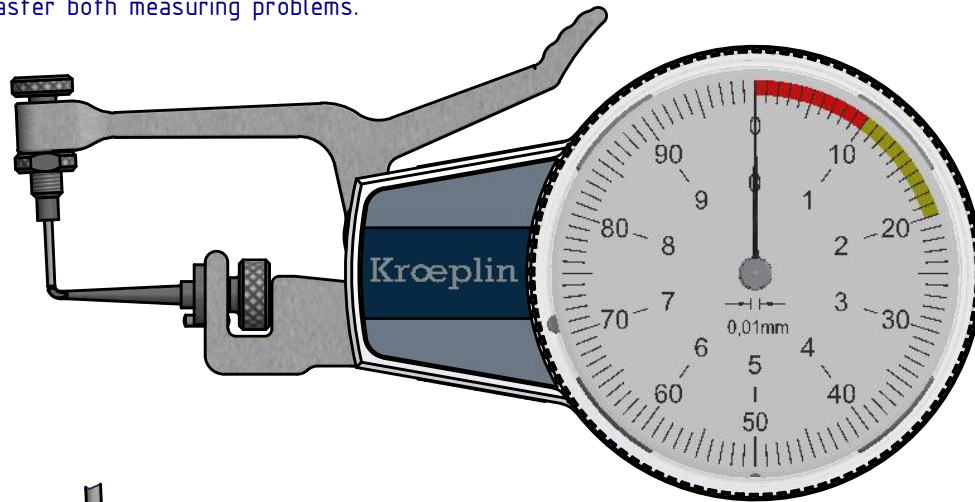
data sheet: E110D

Kroepin GmbH
Gartenstraße 50
D-36381 Schlüchtern

Tel.: 06661 86 0
Fax: 06661 86 39
Mail: sales@kroepin.com
Web: www.kroepin.com

Kroepin
Längenmesstechnik

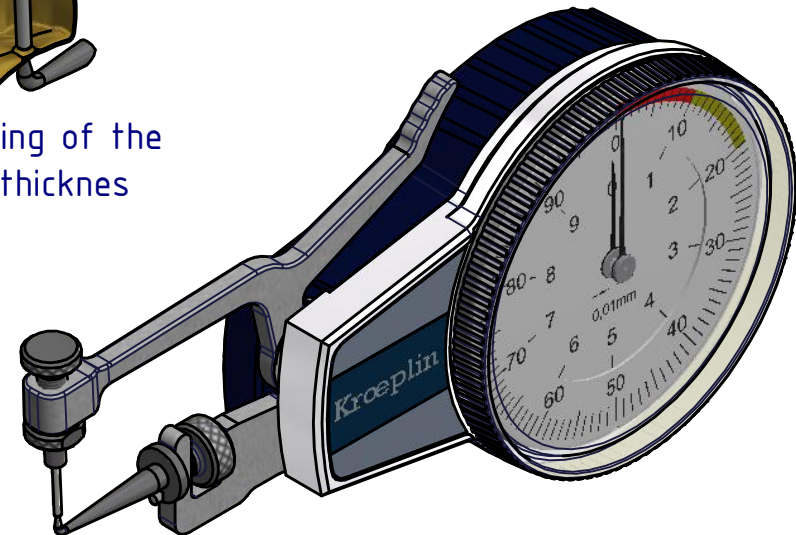
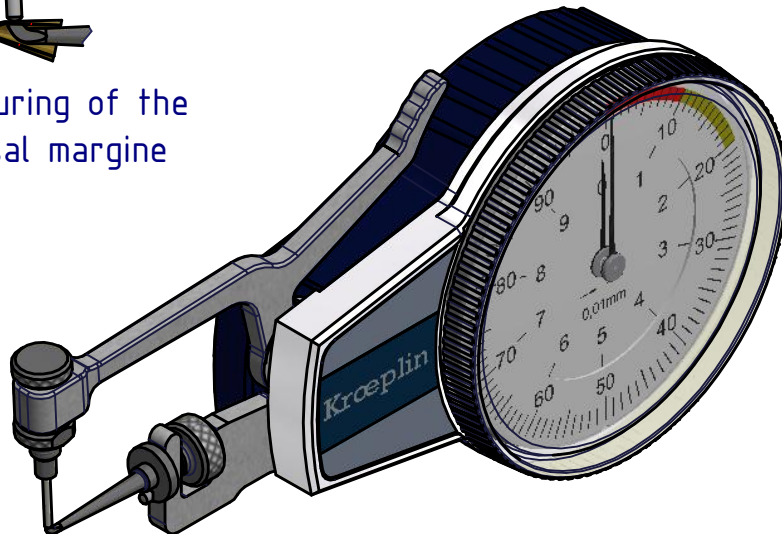
Two exchangeable caliper arms
master both measuring problems.



measuring of the
incisal margin



measuring of the
wall thickness



subject to technical alterations

type: Dental
range: 0 - 2 mm
range of indication: 0 - 10,5 mm
digital step:
scale interval: 0,01 mm
measuring force: 0,5 - 1,3 N
weight: ca. 120 g

acceptable deviations
VDI/VDE/DGQ 2618 Bl. 12.1/13.1)
**max. permissible
errors "G":** 0,03 mm
repeatability "r": 0,01 mm
reference temperature: 20° C
operation temperature: 10° C - 30° C
storage temperature: -10° C - 50° C

scale: 1:1
drawing-nr.: IDW-E110D-DB_e
date of issue: 13.12.2010
name: Buchholz
revision status: 2151 / MHe
revision date: 05.01.2017