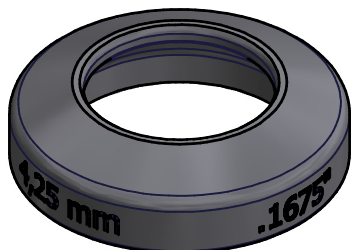
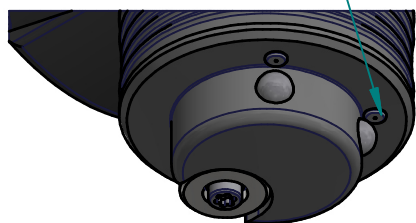


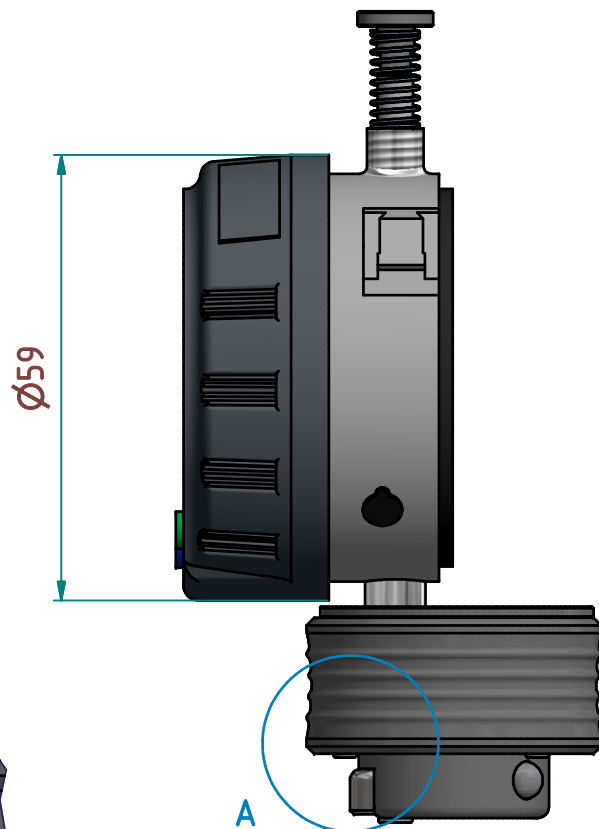
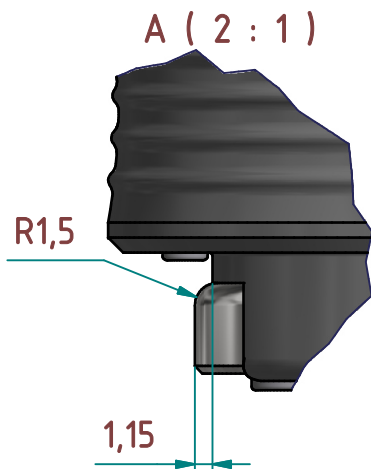
calibration with a adjusting ring 0641-31
(included in delivery)



point of support (3x)



selective measurement
on the hole round border
through 3 point of support



subject to technical alterations

type: aerosol
range: 3,5 - 5 mm (in range)
range of indication: 3,1 - 10,2 mm
digital step: 0,01 mm
scale interval:
measuring force: 3,5 - 5 N
weight: ca. 350 g

acceptable deviations
VDI/VDE/DGQ 2618 Bl. 12.1/13.1)
max. permissible
errors "G": 0,02 mm
repeatability "r": 0,02 mm
reference temperature: 20° C
operation temperature: 10° C - 30° C
storage temperature: -10° C - 50° C

scale: 1:1
drawing-nr.: IDW-AE2130-DB_e
date of issue: 19.05.2015
name: T.König
revision status: 003
revision date: 20.03.2015

AE2130

4

3

2

1

calibration

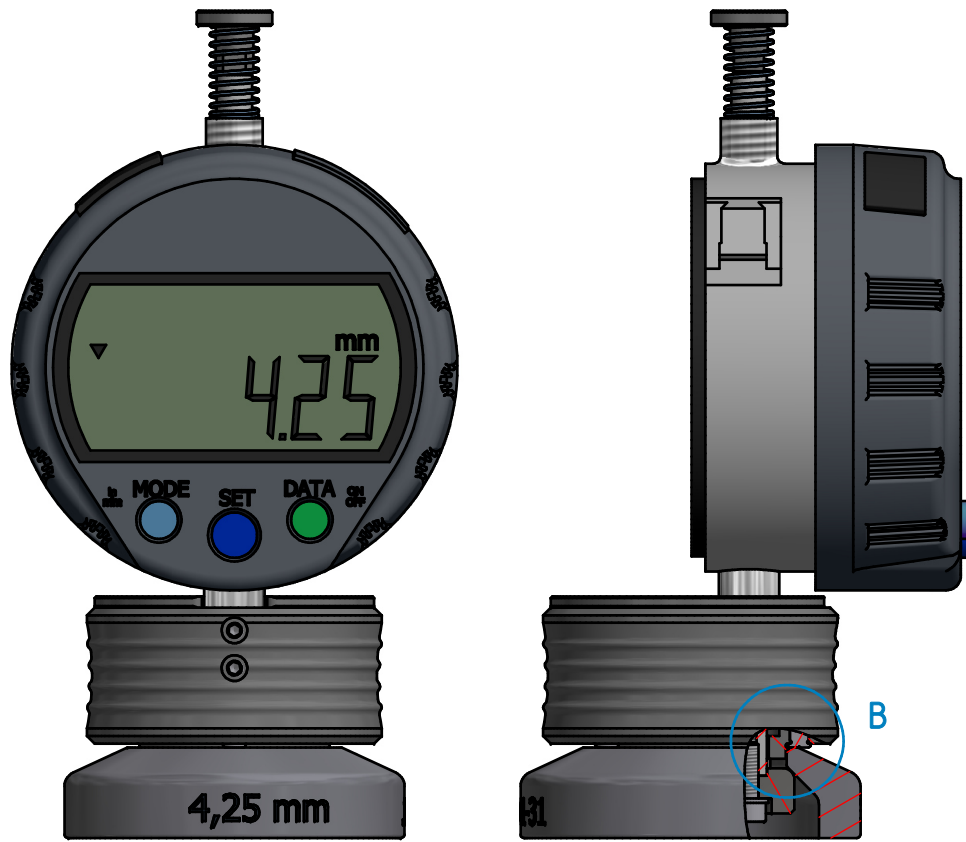
measurement

D

C

B

A



B (2 : 1)

C (2 : 1)

